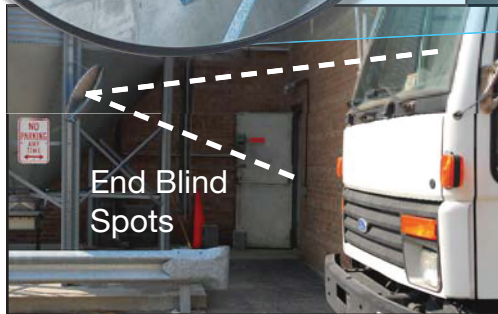


Outdoor Convex Mirrors

Outdoor Convex Mirrors help monitor blind spots and are designed to prevent intersection accidents in industrial applications. Convex mirrors can be positioned to reflect a hidden area to a forklift operator. These mirrors can also be directed to allow equipment operators to view co-workers approaching from behind to reduce accidents.



Convex mirrors should be mounted in positions that reflect the view of the traffic moving from neighboring directions. Properly placed mirrors can help monitor entrances and alleys for unauthorized visitors.

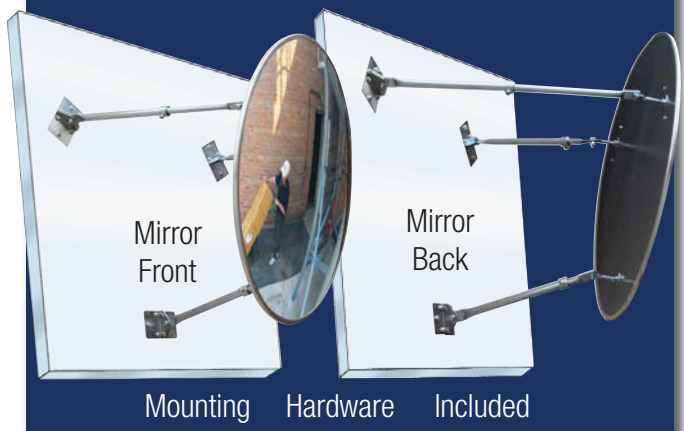
- **20% Brighter Than Glass Mirrors**
- **Available in Polycarbonate**
- **Available with Steel Back**
- **Less Distortion**
- **Economical**

New for High Traffic Areas

Outdoor Wide View Convex



Three Mounting Brackets Provide Extra Stability In Unpredictable Outdoor Conditions



MFG #	Description	MFG #	Description
SCVO-12Z-PB	Acrylic Convex Mirror 12"	TCVO-36T-PB	Acrylic Convex Mirror 36"
DCVO-18T-PB	Acrylic Convex Mirror 18"	TCVO-48T-PB	Acrylic Convex Mirror 48"
TCVO-26T-PB	Acrylic Convex Mirror 26"	TCVO-32T-7DP-PB	Wide View Convex, 32"
TCVO-30T-PB	Acrylic Convex Mirror 30"		
SB - Add Suffix to Item No. for Yellow/Black Safety Border			
PC - Add Suffix to Item No. for Polycarbonate			



Made in U.S.A.

Visit us on the Web: www.domesandmirrors.com e-mail: info@domesandmirrors.com

1139 Haines Boulevard * Sturgis, Mi. 49091 * Toll Free: (800) 253-2064

Phone: (269) 651-9351 * Fax: (847) 288-9999



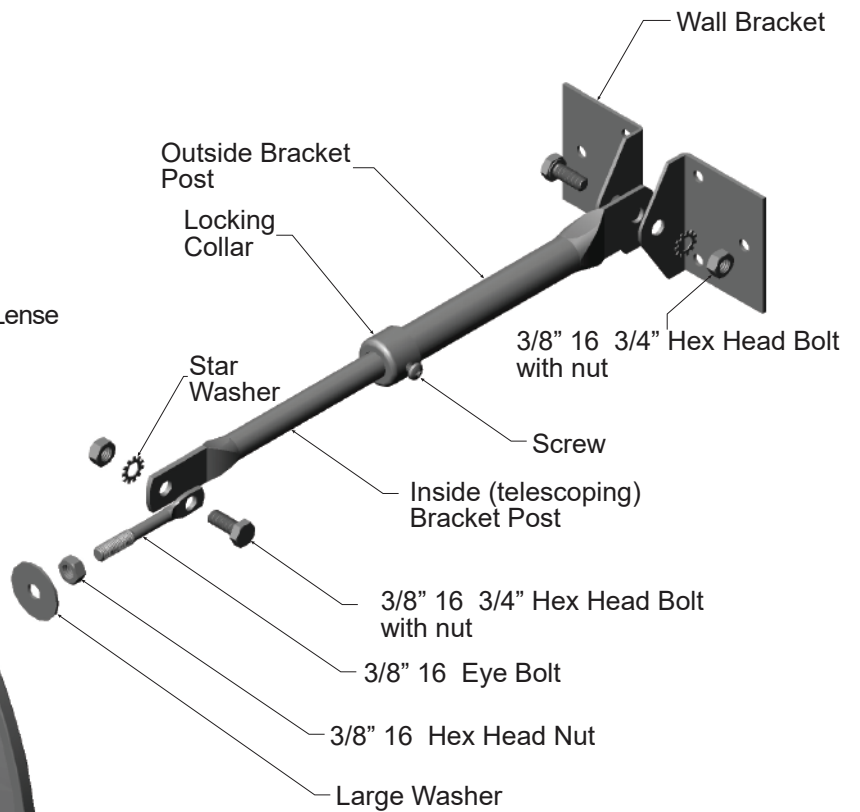
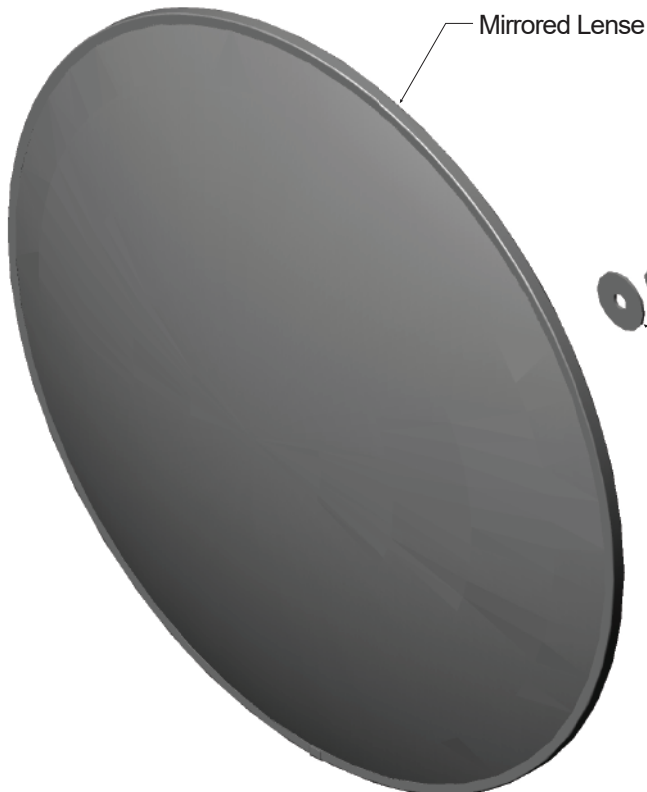
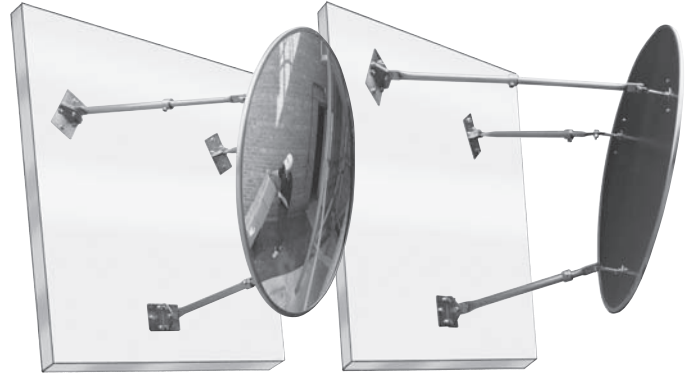
OUTDOOR CONVEX MIRROR BRACKETS

Installation Instructions

Hardware Contents:

- | | |
|----------------|-----------------|
| 6 Star Washers | 6 Nuts |
| 6 Bolts | 3 Screws |
| 3 Eyebolts | 3 Large Washers |

Note: 12" & 18" CVOs Only Use 2 Brackets
26", 30", 36", & 48" Use 3 Brackets



After desired alignment, tighten all screws and nuts.
CAUTION: Do Not Over Tighten

Made in U.S.A.

