

DomeVex Wide View Convex Mirrors

Our Unique Wide View Design

180° Low Distortion Viewing

INTRODUCING THE NEWEST ADDITION TO OUR *DomeVex* LINE OF WIDE VIEW CONVEX MIRRORS. OUR NEW 42" INDOOR/OUTDOOR MODELS PROVIDE THE LARGEST VIEWING AREA IN THE INDUSTRY. PROVIDING A FULL 180 DEGREE VIEW OF UP TO 100 FEET IN ALL DIRECTIONS.

42" Dia.



16" Dia.



4" Deep

24" Dia.



5" Deep

32" Dia.



7" Deep

8" Deep

- Shatter Resistant Acrylic Mirror
- Excellent Visibility- Low Distortion
- Easy Installation
- Hardware Included
- All *DomeVex* Models Mount Like A Convex & Protect Like A Mirrored Dome

INDOOR/OUTDOOR 42" MODELS
DCVO-42T-8DP-PB 2-Brackets
TCVO-42T-8DP-PB 3-Brackets

Item No.	Dia.	Description	Brackets
SCVI-16Z-4DP	16"	Indoor DomeVex Wide View Mirror	1
SCVI-24T-5DP	24"	Indoor DomeVex Wide View Mirror	1
SCVI-32T-7DP	32"	Indoor DomeVex Wide View Mirror	1
DCVO-16T-4DP-PB	16"	Outdoor DomeVex Wide View Mirror	2
TCVO-24T-5DP-PB	24"	Outdoor DomeVex Wide View Mirror	3
TCVO-32T-7DP-PB	32"	Outdoor DomeVex Wide View Mirror	3

1" of Diameter Equals 1 Foot of Viewing Distance



Proud Member

DOMES & MIRRORS
By Se-Kure

1-800-253-2064
www.domesandmirrors.com



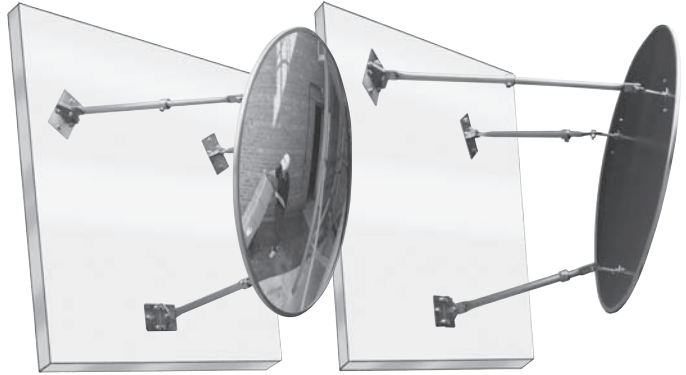
OUTDOOR CONVEX MIRROR BRACKETS

Installation Instructions

Hardware Contents:

- | | |
|----------------|-----------------|
| 6 Star Washers | 6 Nuts |
| 6 Bolts | 3 Screws |
| 3 Eyebolts | 3 Large Washers |

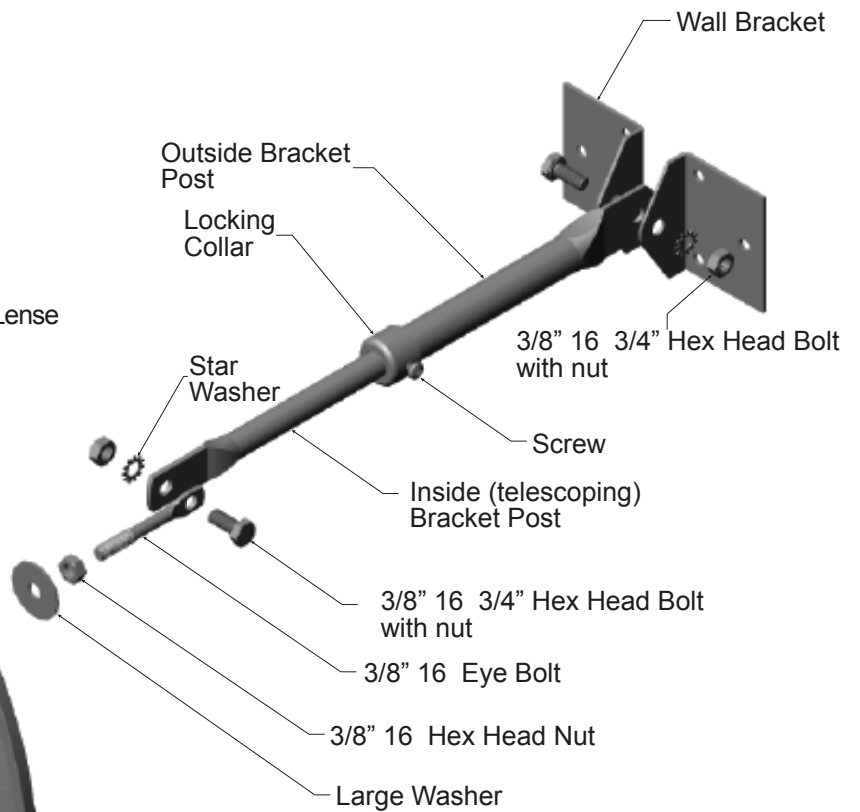
Note: 12" & 18" CVOs Only Use 2 Brackets
26", 30", 36", & 48" Use 3 Brackets



Mirror Back



Mirrored Lens



Wall Bracket

Outside Bracket Post

Locking Collar

Star Washer

3/8" 16 3/4" Hex Head Bolt with nut

Screw

Inside (telescoping) Bracket Post

3/8" 16 3/4" Hex Head Bolt with nut

3/8" 16 Eye Bolt

3/8" 16 Hex Head Nut

Large Washer

After desired alignment, tighten all screws and nuts.
CAUTION: Do Not Over Tighten

Made in U.S.A.

